

# Masport®

## FREESTANDING WOOD FIRES

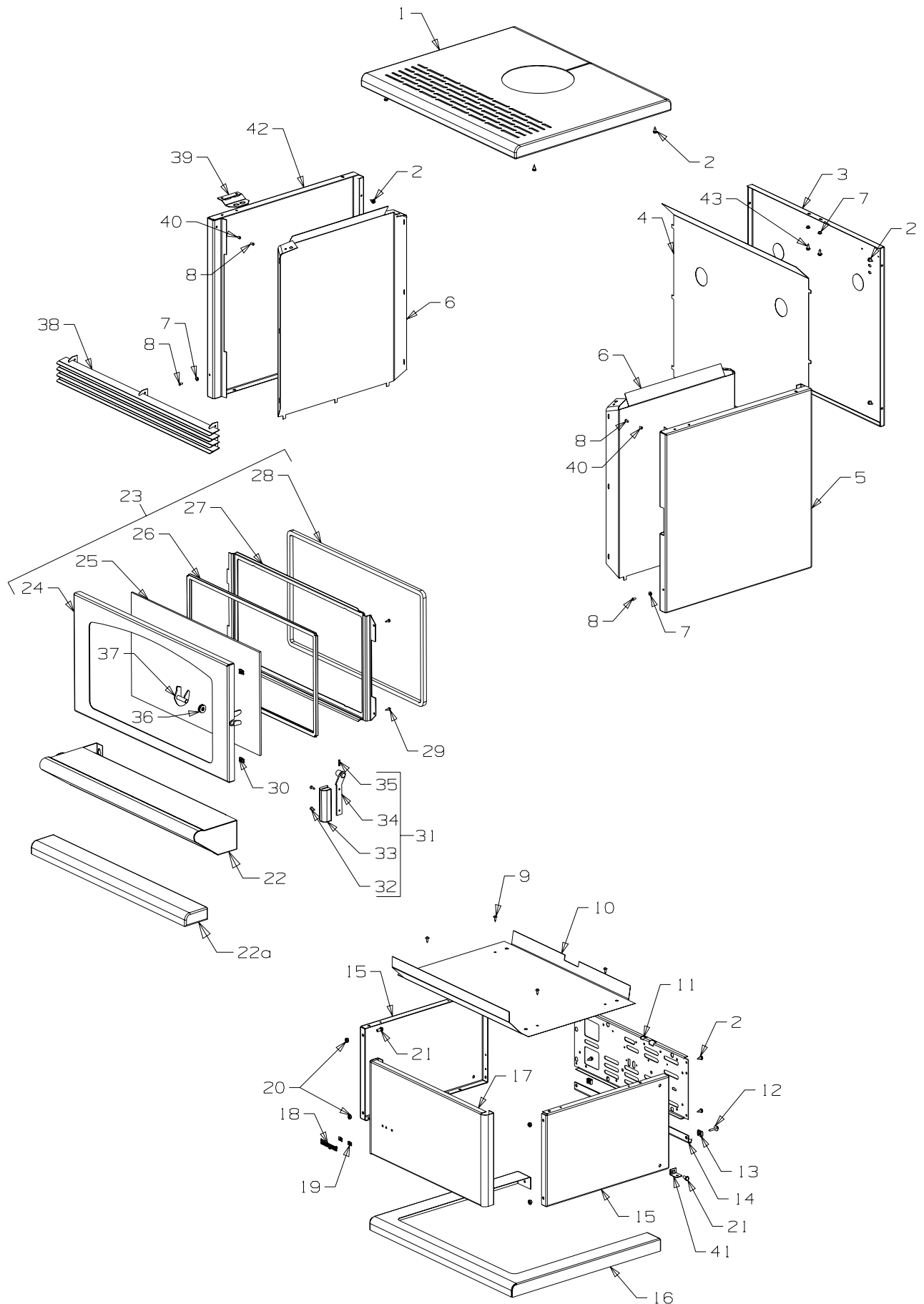
### TORONTO

		NZ	AUST	
<b>Toronto</b>	Black	MAW2034	993906	Page 2
<b>Fans</b>	Double Speed	987363	987363	Page 6
	Remote Control	998398	998398	Page 7
<b>Flue</b>	175mm Hi Therm - 4m	556100	—————	Page 8

**From Serial Number 3017751**

**Month and Year of Manufacture: From February 2000**

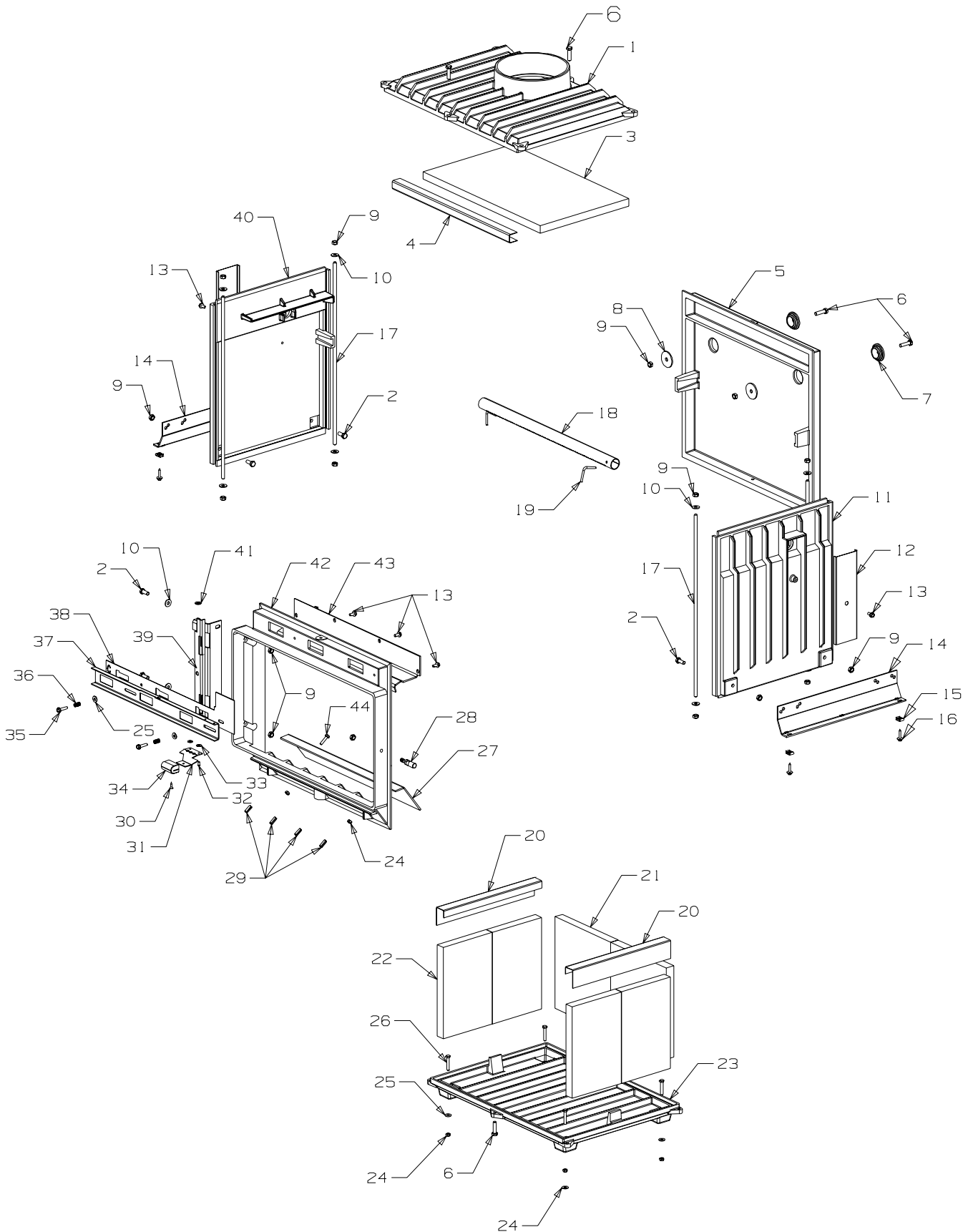






Item No	Part No	Description	Qty	Item No	Part No	Description	Qty
1	793072	Panel-Top - Black	1	22a	987252	Shelf-Ash - Black - NZ	1
2	503259	Screw; S/T 10 x .4	14	23	793045	<b>Door Assy, Complete - Black</b>	1
3	987323	Panel-Rear - Black	1				
4	987120	Heatshield-Back	1	24	793066	• Panel-Door - Black	1
5	793068	Panel-Side, RH - Black	1	25	793031	• Glass - 5 x 548 x 293	1
6	987121	Heatshield-Side	2	26	793043	• Tape-Door, Flat 3 x 20	1
7	986149	Spacer-Front Panel	4	27	994516	• Retainer-Glass	1
8	586167	Rivet-Pop 4.0 Dia x 4.8	8	28	793042	• Rope-Door, Round	1
9	503005	Screw; Pan No.10 x 1/2"	4	29	501480	• Screw, S/T 8 x .5	4
10	994503	Heatshield-Bottom	1	30	503001	• Nut-Spire	4
11	791150	Pedestal-Back - Black	1	31	793044	<b>Handle Assy-Door</b>	1
12	503459	Screw, S/T 12 x 25	6	32	503004	• Screw; Csk No. 8 x 5/8"	2
13	503388	Nut-Spire	6	33	586161	• Handle-Door	1
14	995612	Bracket-Seismic Restraint	2	34	986605	• Handle-Assy	1
15	993073	Pedestal-Sides - Black	1	35	503006	• Pin, Tension 4.0 x 16	1
16	993095	Foot Assy - Black	1	36	501704	• Washer, Flat 10 x 21 x 1.6	4
	987156	• Panel-Pedestal, Foot	1	37	993038	• Latch-Door Assy, 10mm	1
	993096	• Trim-Foot - Black	1	38	986327	Grille-4 Louvre - Black	1
17	993074	<b>Pedestal-Front - Black</b>	1	39	986147	Brace-Side Panel	1
18	584581	• Badge	1	40	986148	Spacer-Grille	2
19	503381	• Push Fix Spire	2	41	986413	Bracket-Seismic Restraint	2
20	501682	Nut, M6 Hex	21	42	793067	Panel-Side, LH - Black	1
21	501959	Screw, Set M6 x 12 Hex	4	43	503704	Screw, S/T 8 x .5	2
22	793084	Panel-Front - Black - Aust	1				

**Bold Text** = Assemblies  
**Bulleted Text** = Items included in Assemblies



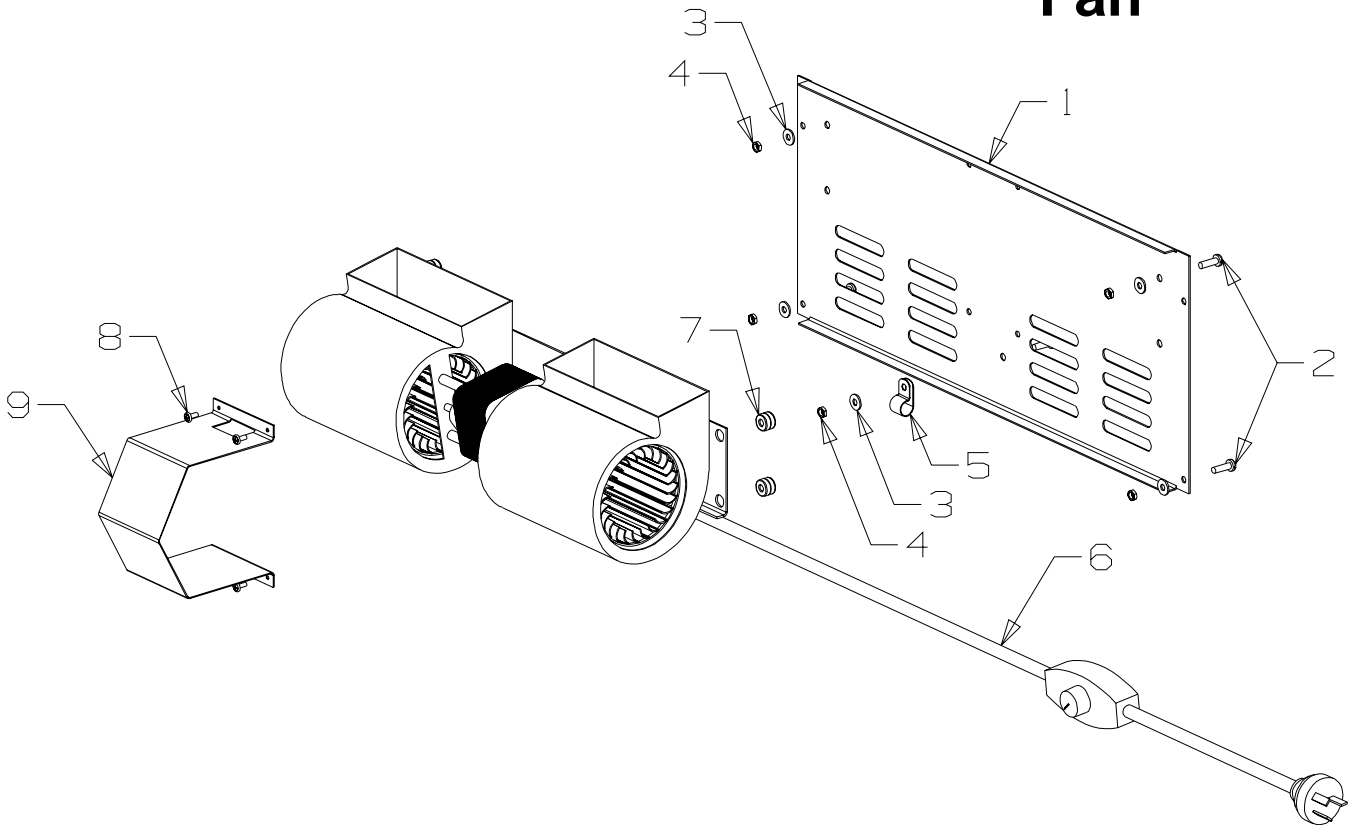


Item No	Part No	Description	Qty	Item No	Part No	Description	Qty
1	795544	Firebox-Top	1	22	987375	<b>Brick-Fire, Side (pack of 2)</b>	
2	501597	Screw, Set M8 x 20 Hex	6			- 160mm x 250mm x 25mm	
3	787109	<b>Board-Firebox Top (1 pack)</b>			987146	•Channel-Brick Retainer	2
		- 20mm x 290mm x 470mm	1	23	987304	Firebox-Bottom	1
4	993048	•Channel-Baffle Reinforcer	1	24	501682	Nut, M6 Hex	21
•	987373	<b>Board-Firebox Top (5 pack)</b>		25	500374	Washer, Flat 1/4"	6
		- 20mm x 290mm x 470mm	1	26	501815	Screw, Set M6 x 35	8
4	993048	•Channel-Baffle Reinforcer	5	27	986720	Plate-Base Inner	1
5	987303	Firebox-Back	1	28	594520	Pin-Door Latch	1
	984090	<b>Plug Assy - 34mm Dia</b>	2	29	503008	Pin, Tension 8.0 x 20	4
6	501685	•Screw, Set M8 x 30 (2)	6	30	503792	Screw; Csk No. 8 x 1/2"	1
7		NOT AVAILABEL		31	986166	Extension-Slide, Air Inlet	1
8	502093	•Washer, Flat 8 x 42 x 3.0	2	32	586167	Rivet-Pop 4.0 Dia x 4.8	8
9	501602	•Nut, M8 Hex (2)	22	33	500848	Washer, Flat 3/16" x .5	4
10	501606	Washer, Flat 8 x 19 x 1.6	10	34	986162	Knob-Air Control	1
11	787107	Firebox-Side, RH	1	35	503336	Screw, S/T M6 x 25	2
12	786146	Cover-Secondary Air	2	36	585223	Spring-Compression,	
13	503003	Screw; S/T 1/4" x .5 Hex	6			Air Inlet	2
14	987123	Bracket-Mounting	2	37	987155	Slide-Air Inlet 20 x 50	1
15	503388	Nut-Spire	6	38	993064	Plate-Meter, Back "C" - NZ	1
16	503459	Screw, S/T 12 x 25	6		987178	Plate-Meter, Back 5 ID Holes	
17	587108	Rod-Tie, M8	4			- AUST	1
18	987591	Tube-Secondary Air,			993091	Plate-Meter, Back	
		- 65 x 3.5 S/S	1			- Overnight Burn - NZ	1
19	586439	Pin-Retaining,		39	993007	Hinge Assy	1
		Secondary Air Tube	1	40	787100	Firebox-Side, LH	1
20	987146	Channel-Brick Retainer	3	41	006025	Washer, Flat 5/16"	1
21	787112	Brick-Fire, Back (pack of 2)		42	795558	Firebox-Front	1
		- 223mm x 250mm x 25mm	1	43	787138	Deflector-Primary Air	1
				44	501963	Screw, Set M6 x 25 Hex	2

**Bold Text** = Assembly  
**Indented Bullet Points** = Item included in Assembly



## Double Speed Fan

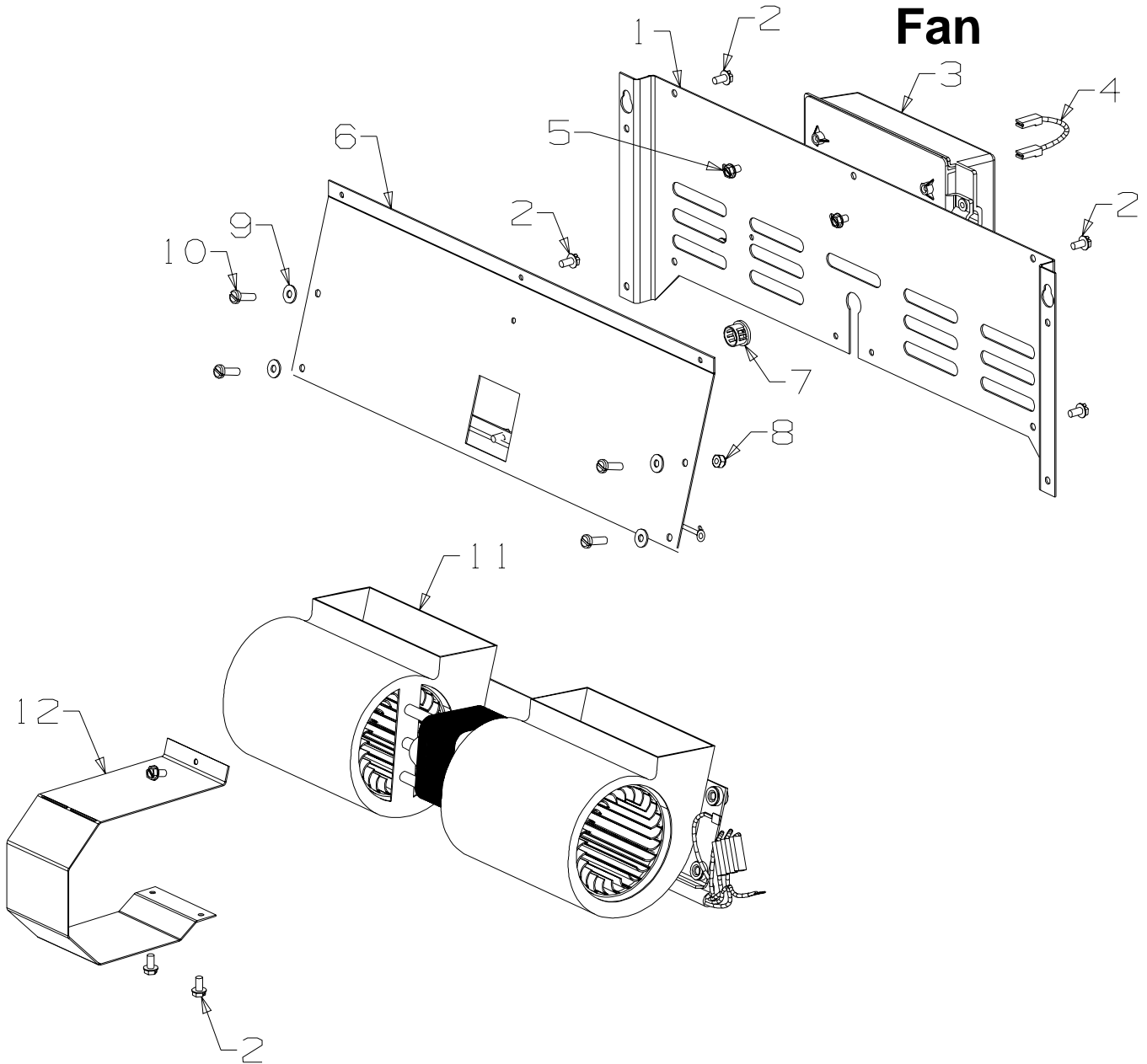


### Part No. 987363

Item No	Part No	Description	Qty	Item No	Part No	Description	Qty
1	987180	Panel-Pedestal Back - Black	1	7	503671	Grommet 14 OD x 6 ID	4
2	501580	Screw, Pan M5 x 16	5	8	501110	Screw; S/T 6 x .25	4
3	500848	Washer; Flat 3/16" x .5	5	9	987187	Cover-Fan Motor	1
4	501856	Nut, M5 Hex	5			<b>NOT ILLUSTRATED</b>	
5	586551	Clamp-Cable Utilux	1				
6	787125	Fan-3 Speed Double End - Incl. Cord Switch	1		503054	Tie-Nylon Cable	1



## Remote Control Fan



**Part No. 998398 Black**

Item No	Part No	Description	Qty	Item No	Part No	Description	Qty
1	995368	Panel-Rear, Fan - Black	1	10	501580	Screw, Pan M5 x 16	4
2	503630	Screw; S/T 10 x .4	11	11	786732	Fan-3 Speed Double End	1
3	595397	Circuit Board-Remote	1	12	995367	Cover-Fan Motor	1
4	591287	Lead-P/C Board	1	<b>NOT ILLUSTRATED</b>			
5	503259	Screw; S/T 10 x .4	2				
6	995369	Panel-Mounting, Fan	1	503054	Tie-Nylon Cable	1	
7	586734	Bush-Plastic	1	588068	Loom-3 Pin, Fan V 75	1	
8	503511	Nut, Nyloc M5	4	595396	Remote Control-Handpiece	1	
9	500848	Washer; Flat 3/16"	4				



**NZ Only**



## 175mm Flue Kit

(to suit **Toronto**, Grandview)

*Contains:*

- 3 x 1200mm lengths Flue (175mm Dia.)
- 1 x 1200mm length Outer / Inner Heat Shield Combination (275mm Dia.)
- 1 x 600mm Outer Shield Extension
- 1 x Anti Down Draught Cowl
- 1 x Casing Cover
- 1 x Top Flue Spacer Bracket
- 1 x Ceiling Plate
- 1 x Packet screws & Ceramic Spacers

Note: Flue Reflector is required for standard installations  
- Part Number 551793

**Part No: 556100**





Item No	Part No	Description	Qty
		<b>NOT ILLUSTRATED</b>	
	585416	Bag-Fire Bedding Sand (Firebox)	2
	584048	Tube-Maniseal (Firebox)	1
	503054	Tie-Nylon Cable	1
	595151	Owners Manual	1
		<b>ASSEMBLYS</b>	
	993092	Firebox Assembly	1
		<b>ACCESSORIES</b>	
	586044	Hot Water Booster - LE (also need 986788)	1
	556123	Paint, Touch Up - Black	1